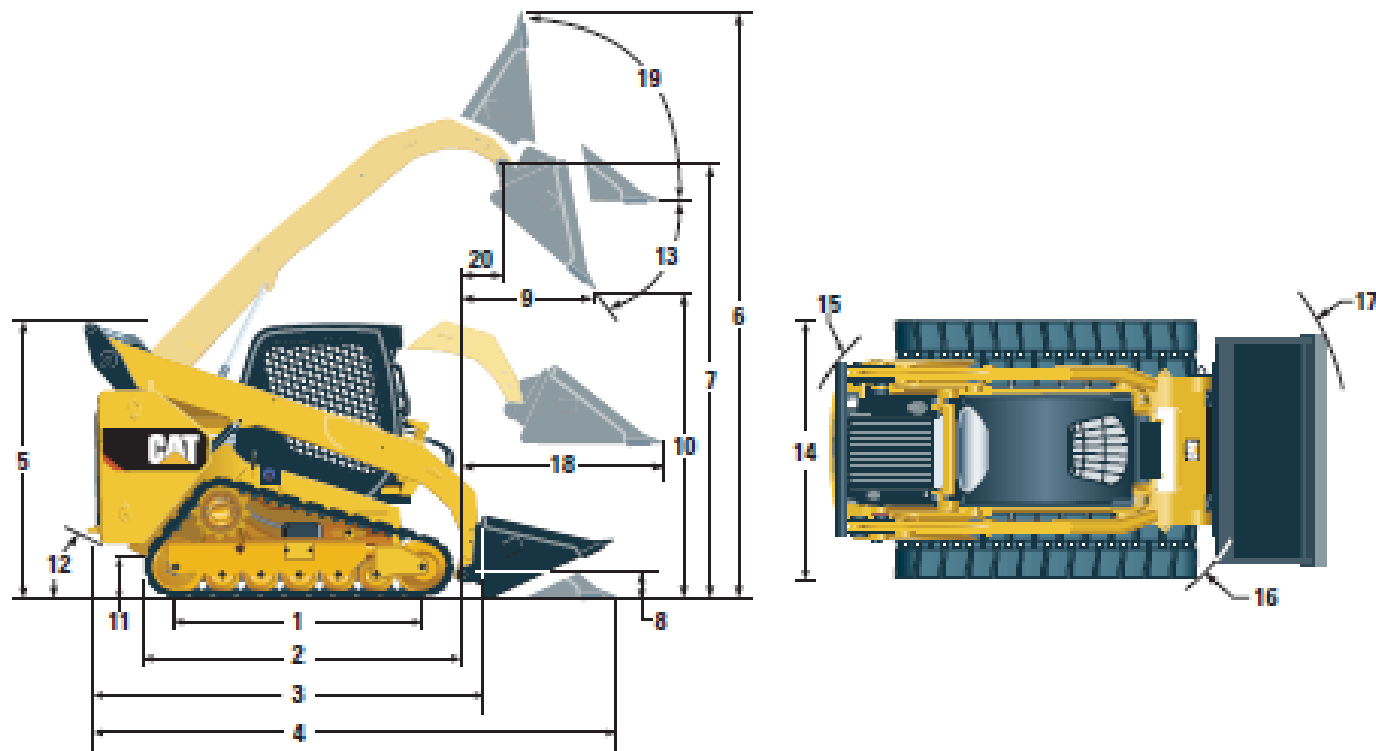


259D/289D Compact Track Loaders Specifications

Dimensions*

All dimensions are approximate.



	259D		289D	
1 Length of Track on Ground	1499 mm	59.0 in	1630 mm	64.2 in
2 Overall Length of Track	1999 mm	78.7 in	2129 mm	83.8 in
3 Length without Bucket	2767 mm	108.9 in	2995 mm	117.9 in
4 Length with Bucket on Ground	3486 mm	137.3 in	3714 mm	146.2 in
5 Height to Top of Cab	2111 mm	83.1 in	2113 mm	83.2 in
6 Maximum Overall Height	3915 mm	154.1 in	4051 mm	159.5 in
7 Bucket Pin Height at Maximum Lift	3075 mm	121.0 in	3178 mm	125.1 in
8 Bucket Pin Height at Carry Position	198 mm	7.8 in	190 mm	7.5 in
9 Reach at Maximum Lift and Dump	608 mm	23.9 in	761 mm	30.0 in
10 Clearance at Maximum Lift and Dump	2283 mm	89.9 in	2387 mm	94.0 in
11 Ground Clearance	226 mm	8.9 in	226 mm	8.9 in
12 Departure Angle	35°		33°	
13 Maximum Dump Angle	52°		51°	
14 Vehicle Width (320 mm/12.6 in tracks) – 259D only	1676 mm	66.0 in	N/A	
Vehicle Width (400 mm/15.7 in tracks) – 259D/289D	1755 mm	69.0 in	1931 mm	76.0 in
Vehicle Width (450 mm/17.7 in tracks) – 289D only	N/A		1981 mm	78.0 in
15 Turning Radius from Center – Machine Rear	1561 mm	61.5 in	1796 mm	70.7 in
16 Turning Radius from Center – Coupler	1392 mm	54.8 in	1410 mm	55.5 in
17 Turning Radius from Center – Bucket	2184 mm	86.0 in	2256 mm	88.8 in
18 Maximum Reach with Arms Parallel to Ground	1305 mm	51.4 in	1270 mm	50.0 in
19 Rack Back Angle at Maximum Height	87°		84°	
20 Bucket Pin Reach at Maximum Lift	238 mm	9.4 in	369 mm	14.5 in

*Operating Weight, Operating Specifications and Dimensions for the 259D and 289D all based on 75 kg (165 lb) operator, all fluids, two speed, OROPS, 1676 mm (66 in) dirt bucket, 320 mm (12.6 in) tracks for the 259D or 400 mm (15.7 in) tracks for the 289D, dual flange front idler/single flange rear idler, standard flow hydraulics, mechanical suspension seat, no optional counterweights and manual quick coupler (unless otherwise noted).